

Actuator / control for rolling shutter

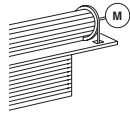
Description

Actuator for flush mounted 2-module rolling shutters, with 2 internal relays. It is possible to manage the specific position of the rolling shutter. The device can also be configured to manage a remote actuator.

Technical data

Operating voltage:	110 – 230 Vac
Operating power supply with SCS BUS:	22 – 27 Vdc
Power consumption at maximum LED intensity:	8.7 mA (standby) 25.4 mA (max - single load)
Clamp dimension:	2 x 2,5 mm ²
Operating temperature:	5 – 45 °C

Loads	Reducer motors for rolling shutters	
230 Vac	460 W	2 A
110 Vac	250 W	2 A



Dimensional data

Size: 2 flush mounted modules.

Configuring MyHOME

The device can be configured using the MyHOME_Up app with firmware versions after 2.1 and with app versions after 2.2 (for the use see the relevant documentation). For this device, the MyHOME Server automatically configures 1 channel. For more details see the MyHOME Server documentation.

As an alternative, it is also possible to use the MyHOME_Suite configuration software (version after 03.03.73), or physical configurators connected to the appropriate sockets.

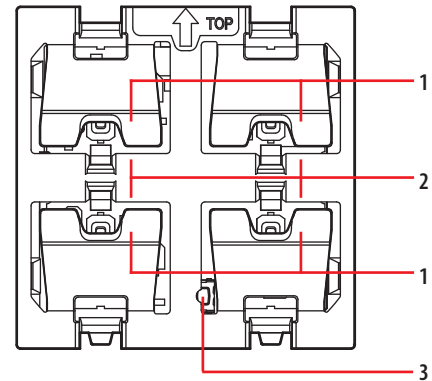
List of functions

The device performs the following functions:

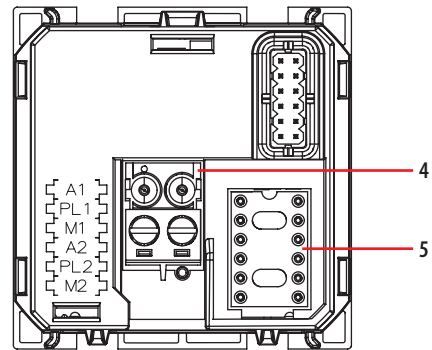
1. ACTUATOR MODE FOR ROLLING SHUTTER AUTOMATION WITH LOCAL CONTROL
2. ACTUATOR FOR 1 LOAD (SHUTTERS AUTOMATION) WITH LOCAL CONTROL BY THE LEFT BUTTON AND REMOTE ACTUATOR OR SCENARIO CONTROL BY THE RIGHT BUTTON
3. MODE OF OPERATION OF THE CONTROL BY THE RIGHT BUTTON
4. PLUS PROGRAMMED SCENARIO ACTIVATION

See the following pages for the configuration procedures.

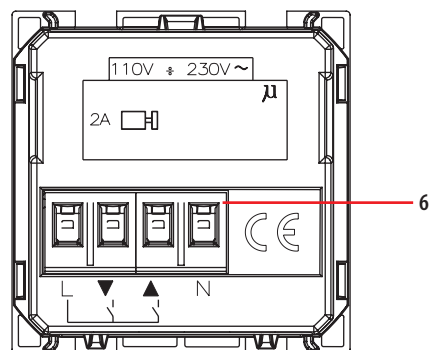
Control module front view



Control module rear view



Relay module rear view



Legend

1. Control pushbuttons
2. Status notification LED
Blue steady: load ON
White steady: load OFF
Flashing: object not configured or no neutral
3. LED pushbutton
4. BUS connector
5. Configurator socket
6. Clamps (2 x 2.5 mm²) connection to the load

Actuator / control for rolling shutter

Configuration

1. Actuator mode for rolling shutter automation with local control

Configure A1, M1 and PL1 to define the local actuator address and mode.

1.1 Addressing

Address type		Virtual configuration (MyHOME_Suite)	Physical configuration
Apartment	Room	0 – 10	A1=1 – 9
	Lighting point	0 – 15	PL1=1 – 9

To configure the group address (1-10) from 0 to 255 use the MyHOME_Suite virtual configuration.

1.2 Automation

Virtual configuration (MyHOME_Suite) *			Physical configuration	
			Standard motor	Pulse motor
Function	Parameter / setting			
Shutter UP/DOWN with STOP after 2 minutes. The actuator ignores Room and General controls	Master PUL		M1= PUL	M1= 6
Shutter UP/DOWN with STOP after the defined time	Master, Slave		M1= SLA	M1= 7
UP/DOWN monostable	-		M1= ↑↓M	M1= 4
UP/DOWN bistable	-		M1=↑↓ or 0	M1= 3
UP/DOWN	Monostable Bistable	short pressure long pressure	M1= 1	M1= 5

* Before setting the parameters, in the field "Motor type" select if the motor that automates the rolling shutter is "Standard" or "Pulse".

To use "Actuator as Slave with PUL function", the "Load type" (Actuator, Blinds, Curtains, Gate, Garage door) and define the STOP time 1 – 60 sec. use the MyHOME_Suite virtual configuration.

2. Actuator for 1 load (shutters automation) with local control by the left button and remote actuator or scenario control by the right button

2.1 Addressing

Configure A1, M1 and PL1 to define the local actuator address and mode of operation (controlled by the left button) as specified in paragraphs 1.1 and 1.3.

Configure A2 PL2 to define the address of the remote actuator to be managed, according to the following table:

Address type		Virtual configuration (MyHOME_Suite)	Physical configuration
Point-to-point	Room	0 – 10	A2= 1 – 9
	Lighting point	0 – 15	PL2= 1 – 9
Room		0 – 10	A2= AMB, PL2= 1 – 9
Group		1 – 255	A2= GR, PL2= 1 – 9
General		General	A2= GEN

To configure the Environment and light point reference addresses of an actuator use a MyHOME_Suite virtual configuration.

2.2 Mode of operation of the remote control

See chapter 3.

Actuator / control for rolling shutter**3. Mode of operation of the control by the right button****3.1 ON/OFF control:**

Virtual configuration (MyHOME_Suite)		Physical configuration	
Function	Parameter / setting		
	Cyclic	M2=0	
	ON	M2=ON	
	OFF	M2=OFF	
	Button	M2=PUL	
Timed ON*		0,5 sec	M=8
		30 sec	M=7
		1 min	M=1
		2 min	M=2

* For other timing functions complete the virtual configuration using MyHOME_Suite.

3.1.1 ON/OFF Control and ADJUSTMENT (Point-to-Point only):

Virtual configuration (MyHOME_Suite)		Physical configuration
Parameter / setting		
ON/OFF and cyclic ADJUSTMENT. ON/OFF when pressing briefly and adjustment when holding down.		M1, M2=0
ON with top button, OFF with bottom button and DIMMER when held down		M1, M2=0/1

For the "ON/OFF with adjustment" function, "Cyclic with custom point-to-point adjustment", "ON/OFF with custom point-to-point adjustment", "Cyclic with custom adjustment" and "Custom cyclic dimmer with no adjustment" use virtual configuration via MyHOME_Suite.

With the virtual configuration, for the room, group or general controls, you can set a lighting point address for the return of the load status.

3.2. Automation control**3.2.1 Addressing**

Address type	Virtual configuration (MyHOME_Suite)		Physical configuration
Point-to-point	Room	0-10	A1, A2=1-9
	Lighting point	0-15	PL1, PL2=1-9
Room	0-10		A1, A2=AMB, PL1, PL2=1-9
Group	1-255		A1, A2=GR, PL1, PL2=1-9
General	general		A1, A2=GEN

Note: With the virtual configuration, for the room, group or general controls, you can set a lighting point address for the return of the load status.

3.2.2 Mode

Virtual configuration (MyHOME_Suite)		Physical configuration
Parameter / setting		
Bistable control		M1, M2=↑↓
Monostable control		M1, M2=↑↓M
Bistable control and lath control		M1, M2=6

Actuator / control for rolling shutter**4. Plus programmed scenario activation**

To configure address 1 - 2047 of the scenario and number 0 - 31 use MyHOME_Suite virtual configuration.

Wiring diagrams

Wiring diagram for shutter connection

